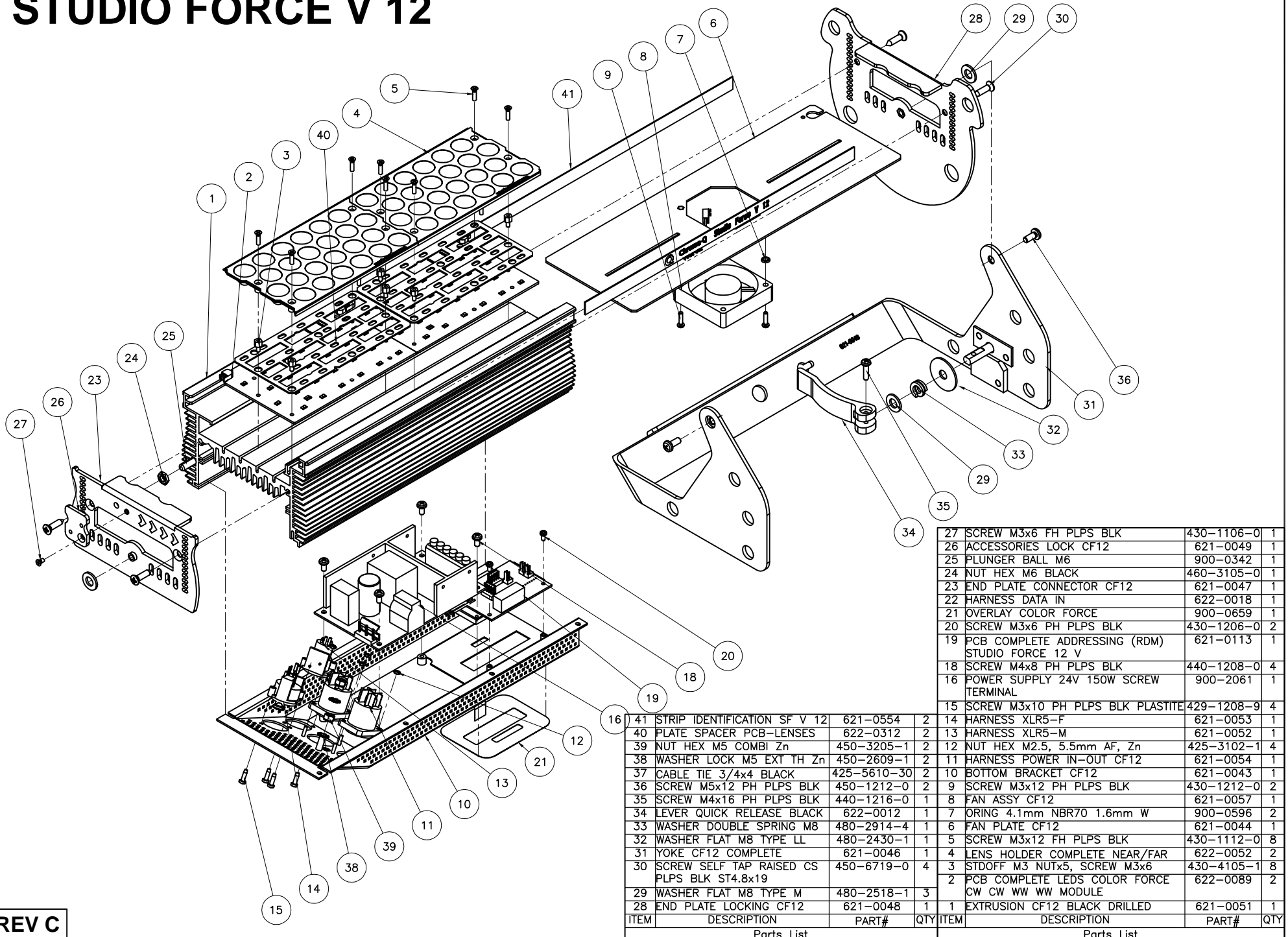


STUDIO FORCE V 12



REV C

ITEM	DESCRIPTION	PART#	QTY	ITEM	DESCRIPTION	PART#	QTY
27	SCREW M3x6 FH PLPS BLK	430-1106-0	1	14	HARNESS XLR5-F	621-0053	1
26	ACCESSORIES LOCK CF12	621-0049	1	13	HARNESS XLR5-M	621-0052	1
25	PLUNGER BALL M6	900-0342	1	12	NUT HEX M2.5, 5.5mm AF, Zn	425-3102-1	4
24	NUT HEX M6 BLACK	460-3105-0	1	11	HARNESS POWER IN-OUT CF12	621-0054	1
23	END PLATE CONNECTOR CF12	621-0047	1	10	BOTTOM BRACKET CF12	621-0043	1
22	HARNESS DATA IN	622-0018	1	9	SCREW M3x12 PH PLPS BLK	430-1212-0	2
21	OVERLAY COLOR FORCE	900-0659	1	8	FAN ASSY CF12	621-0057	1
20	SCREW M3x6 PH PLPS BLK	430-1206-0	2	7	ORING 4.1mm NBR70 1.6mm W	900-0596	2
19	PCB COMPLETE ADDRESSING (RDM) STUDIO FORCE 12 V	621-0113	1	6	FAN PLATE CF12	621-0044	1
18	SCREW M4x8 PH PLPS BLK	440-1208-0	4	5	SCREW M3x12 FH PLPS BLK	430-1112-0	8
16	POWER SUPPLY 24V 150W SCREW TERMINAL	900-2061	1	4	LENS HOLDER COMPLETE NEAR/FAR	622-0052	2
15	SCREW M3x10 PH PLPS BLK PLASTITE	429-1208-9	4	3	STDOFF M3 NUTx5, SCREW M3x6	430-4105-1	8
41	STRIP IDENTIFICATION SF V 12	621-0554	2	2	PCB COMPLETE LEDS COLOR FORCE CW CW WW WW MODULE	622-0089	2
40	PLATE SPACER PCB-LENSES	622-0312	2	1	EXTRUSION CF12 BLACK DRILLED	621-0051	1
39	NUT HEX M5 COMBI Zn	450-3205-1	2				
38	WASHER LOCK M5 EXT TH Zn	450-2609-1	2				
37	CABLE TIE 3/4x4 BLACK	425-5610-30	2				
36	SCREW M5x12 PH PLPS BLK	450-1212-0	2				
35	SCREW M4x16 PH PLPS BLK	440-1216-0	1				
34	LEVER QUICK RELEASE BLACK	622-0012	1				
33	WASHER DOUBLE SPRING M8	480-2914-4	1				
32	WASHER FLAT M8 TYPE LL	480-2430-1	1				
31	YOKE CF12 COMPLETE	621-0046	1				
30	SCREW SELF TAP RAISED CS PLPS BLK ST4.8x19	450-6719-0	4				
29	WASHER FLAT M8 TYPE M	480-2518-1	3				
28	END PLATE LOCKING CF12	621-0048	1				

Parts List

Parts List