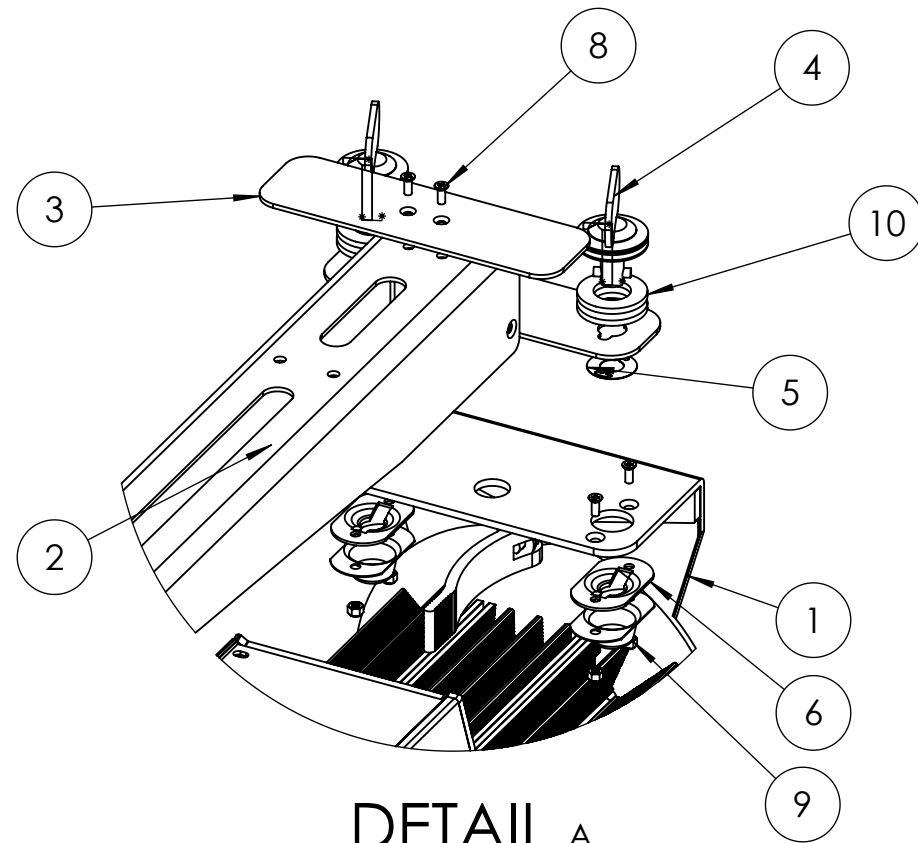
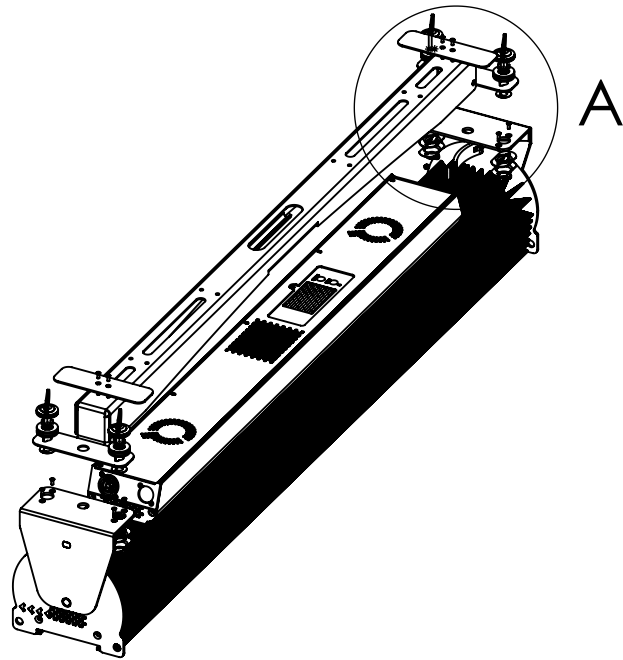

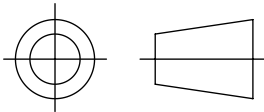


NO.	P/N	DESCRIPTION	QTY. in the Kit
1	641-2000	COLOR FORCE II- 48	0*
2	641-0057	HANG BAR CFII SFII 48	1
3	641-0063	STABILIZER HANGBAR BLK	2
4	338-6101-1	Quarter Turn Male Fastener	4
5	338-6104-1	Washer Capacitive Quarter Turn	4
6	338-6102-1	Quarter Turn Female Fastener	4
7	338-6103-1	CAP Quarter Turn	4
8	430-1108-0	SCREW M3x8 FH PLPS BLK	12
9	430-3304-0	NUT HEX M3 NYLOCK BLK	8
10	414-2128-1	WASHER M14 OD28MM ZN	8



DETAIL A
SCALE 1 : 3

 Chroma-Q™ BRILLIANT SOLUTIONS		ALL INFORMATION CONTAINED IN THIS DOCUMENT IS PROPERTY OF CHROMA-Q AND MAY NOT BE REPRODUCED IN WHOLE OR PART WITHOUT PERMISSION OF CHROMA-Q.	
UNLESS OTHERWISE SPECIFIED ALL DIMENSIONS ARE IN MM [INCHES]		TITLE: HANGBAR CFII SFII 48 BLK/WHT EXPLODED VIEW	
THIRD ANGLE PROJECTION 		SIZE A4	PART NO. 641-9003 / 641-9004
SCALE: 1:20		WEIGHT:	REV -
			SHEET 1 OF 2