

16

15

14

13

12

11

10

9

8

7

6

5

4

3

2

1

M

M

L

L

K

K

J

J

H

H

G

G

F

F

E

E

D

D

C

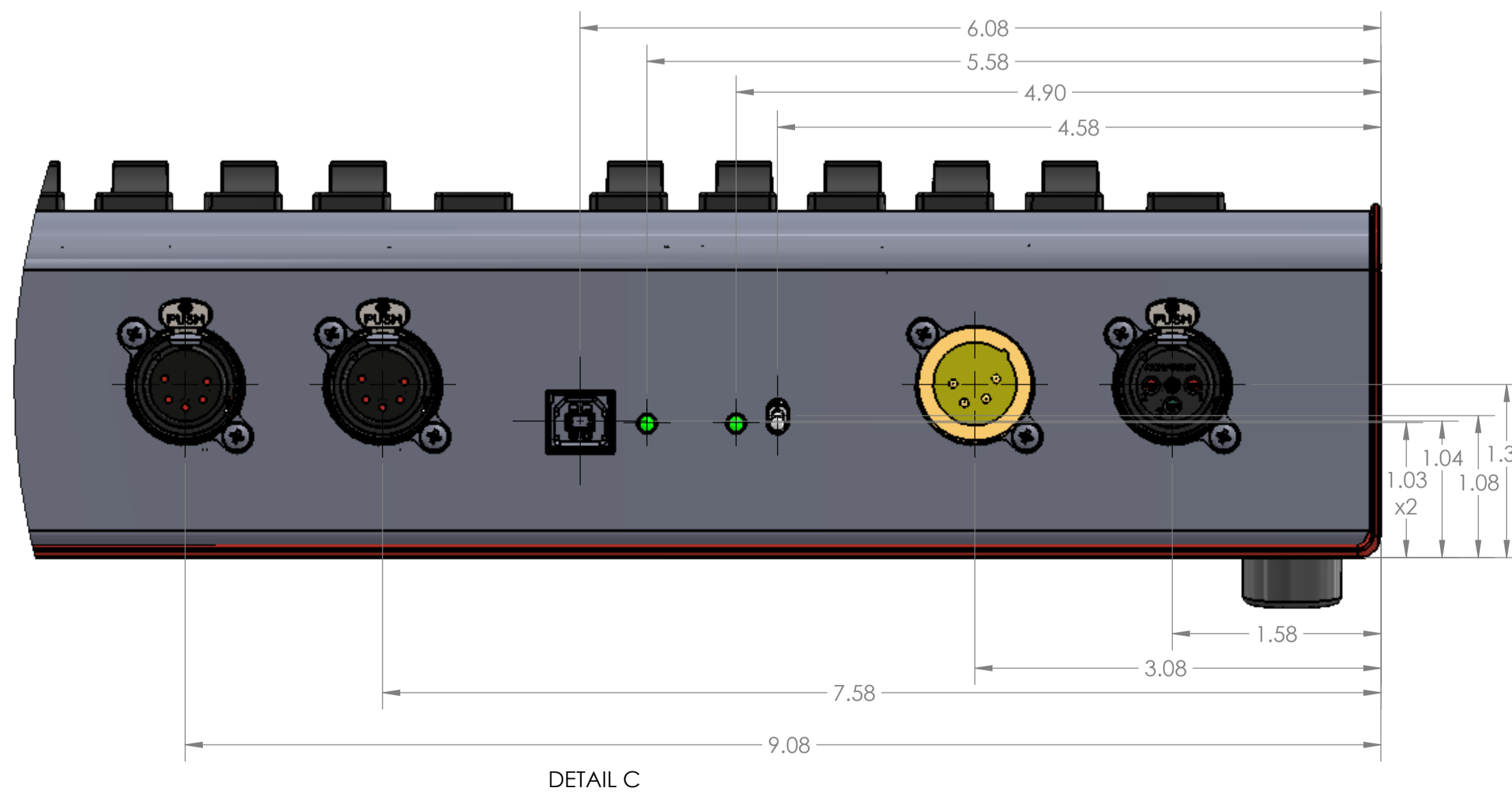
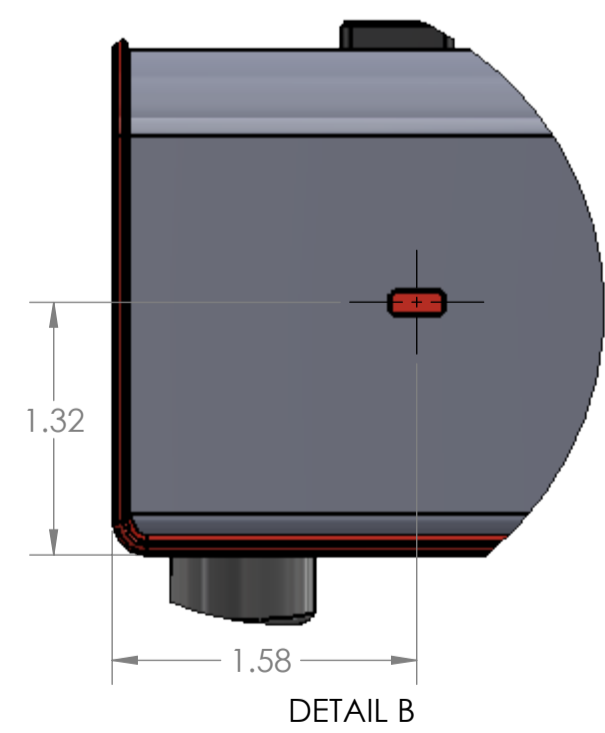
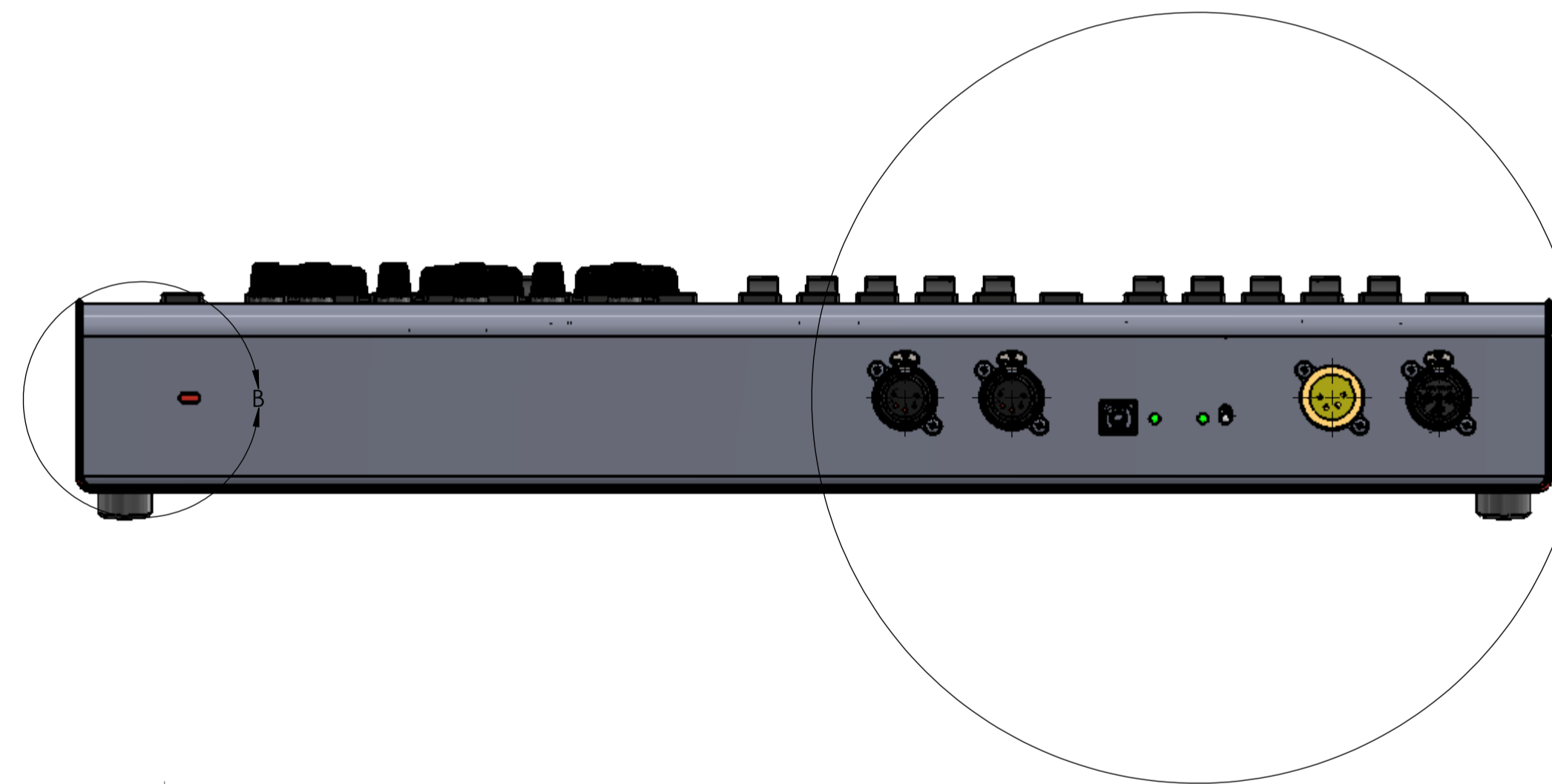
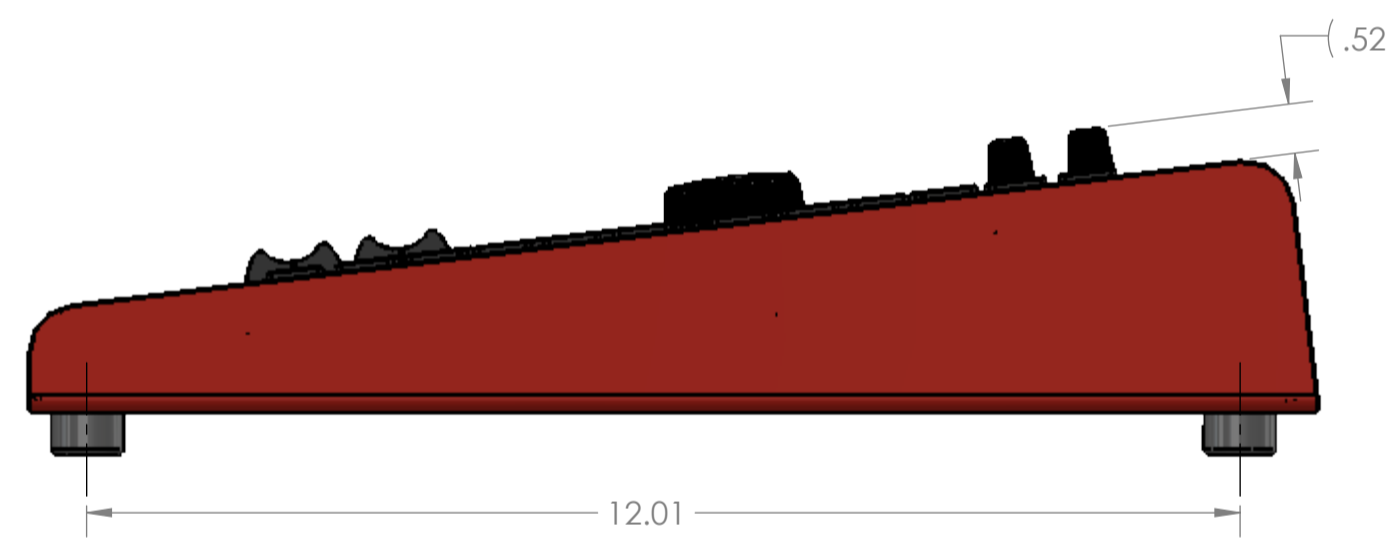
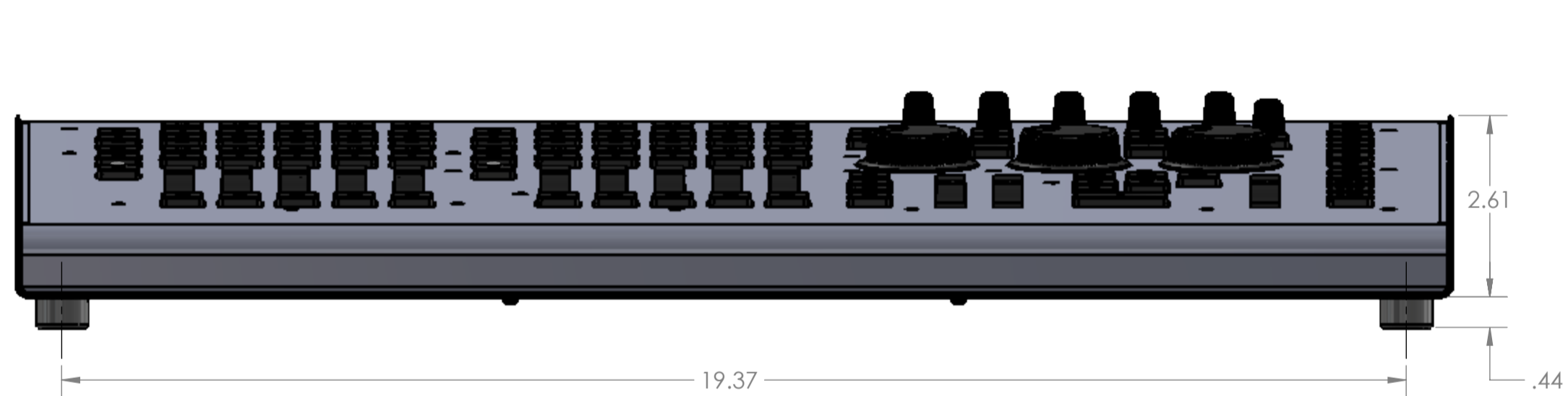
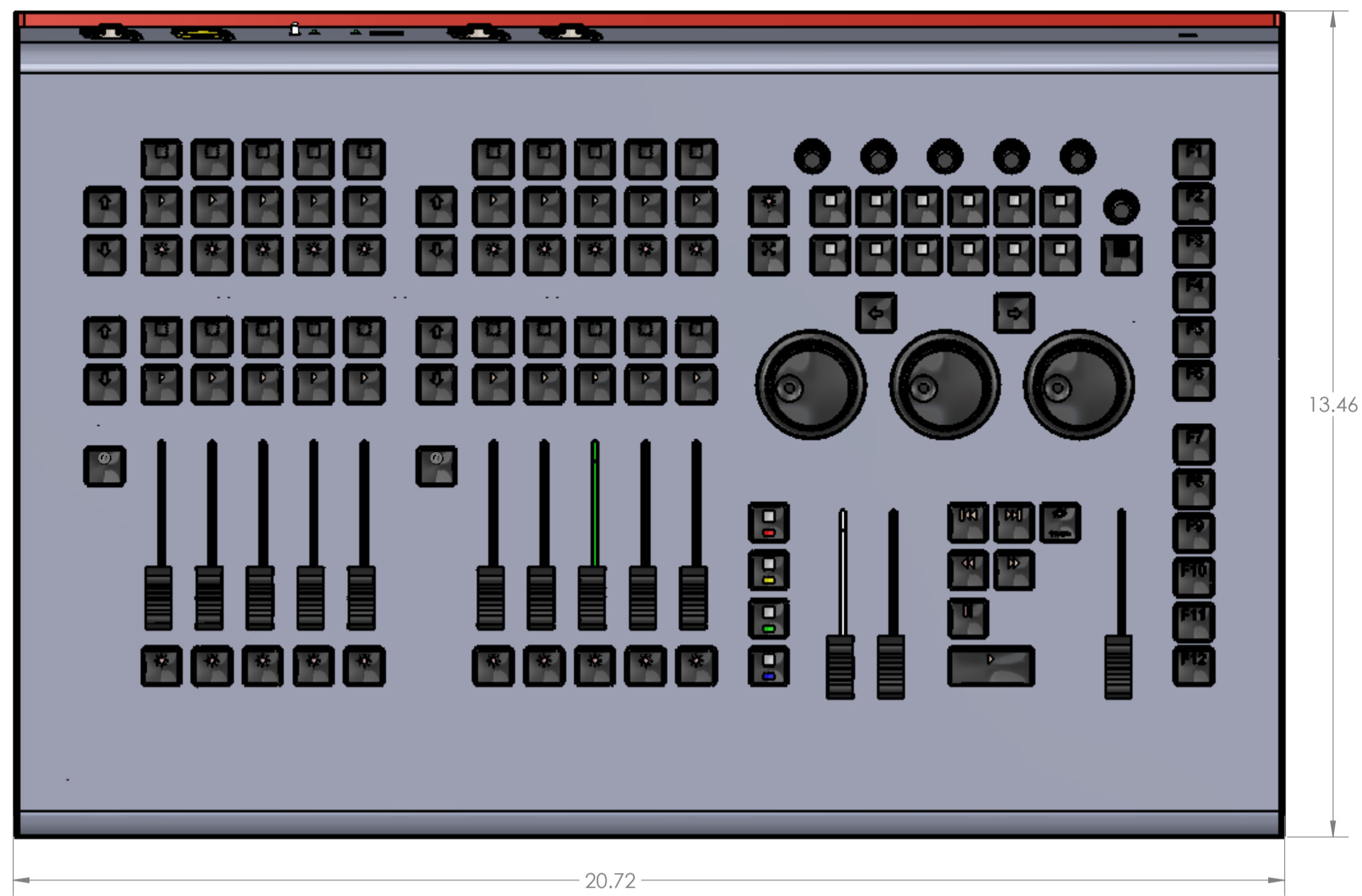
C


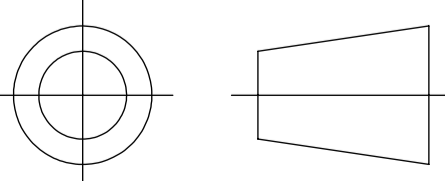
B

B

A

A



 <b>Chroma-Q™</b> <small>DRILLER™ SOLD TO US</small>		<small>ALL INFORMATION CONTAINED IN THIS DOCUMENT IS PROPERTY OF CHROMA-Q AND MAY NOT BE REPRODUCED IN WHOLE OR PART WITHOUT PERMISSION OF CHROMA-Q</small>	
<small>UNLESS OTHERWISE SPECIFIED ALL DIMENSIONS ARE IN MM (INCHES)</small>		<b>TITLE:</b> <b>VISTA EX CONSOLE, LINE DRAWING</b>	
<small>THIRD ANGLE PROJECTION</small> 		<small>SIZE</small> <b>A1</b>	<small>PART NO.</small> <b>676-1010</b>
<small>SCALE: NTS</small>		<small>REV</small> <b>B</b>	<small>SHEET 1 OF 1</small>

16

15

14

13

12

11

10

9

8

7

6

5

4

3

2

1