



Chroma-Q®
BRILLIANT SOLUTIONS

Specification Sheet - Version: 1.4
Chroma-Q® Color One 100™ IP65
Above Par Performance from ONE Source
Part No: CHCONE100RGBaip

DESCRIPTION

The fixture shall provide a very powerful hot lumens output of up to 1,230 lumens, for washing large areas.
The fixture will be suitable for Theatrical, Film and TV and many other applications.
The fixture will include Red, Green, Blue and Amber LEDs.
The fixture shall provide a CRI of 93.
The fixture shall provide a smooth, linear dimming curve.
The fixture shall feature a built-in stand alone mode.
The fixture shall feature a built-in power supply.
The fixture shall be manufactured from extruded material.
The fixture shall provide fully homogenised, colour-mixed output as well as warm and cool white.

FEATURES

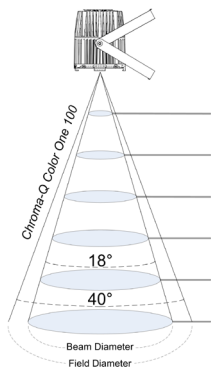
- Fully homogenised beam
- RGBA colour-mixing palette
- Extremely uniform wash
- Defined 18° beam
- Bold saturates and subtle pastels from ONE source
- High CRI of 93
- Floor, truss or wall mountable
- Convection cooled for near-silent running
- Theatrical grade dimming
- Choice of IP20 and IP65* versions

*As per IEC60529 ingress protection rating code.

ORDERING INFORMATION

CHCONE100RGBaip: Chroma-Q Color One 100 RGBA, IP65, Tails In/Out, Neutrik XLR 5-pin In/Out

PHOTOMETRICS



Throw Distance		Beam Spread		Field Spread		Full On	
M	FT	M	FT	M	FT	LUX*	FC*
1	3.28	0.3	0.98	0.7	2.30	6,158	572.10
2	6.56	0.7	2.30	1.5	4.92	1,540	143.02
3	9.84	1.0	3.28	2.2	7.22	684	63.56
4	13.12	1.4	4.59	3	9.84	385	35.76
5	16.40	1.7	5.58	3.7	12.14	246	22.88
6	19.69	2.1	6.89	4.4	14.44	171	15.90

* measured at centre of beam

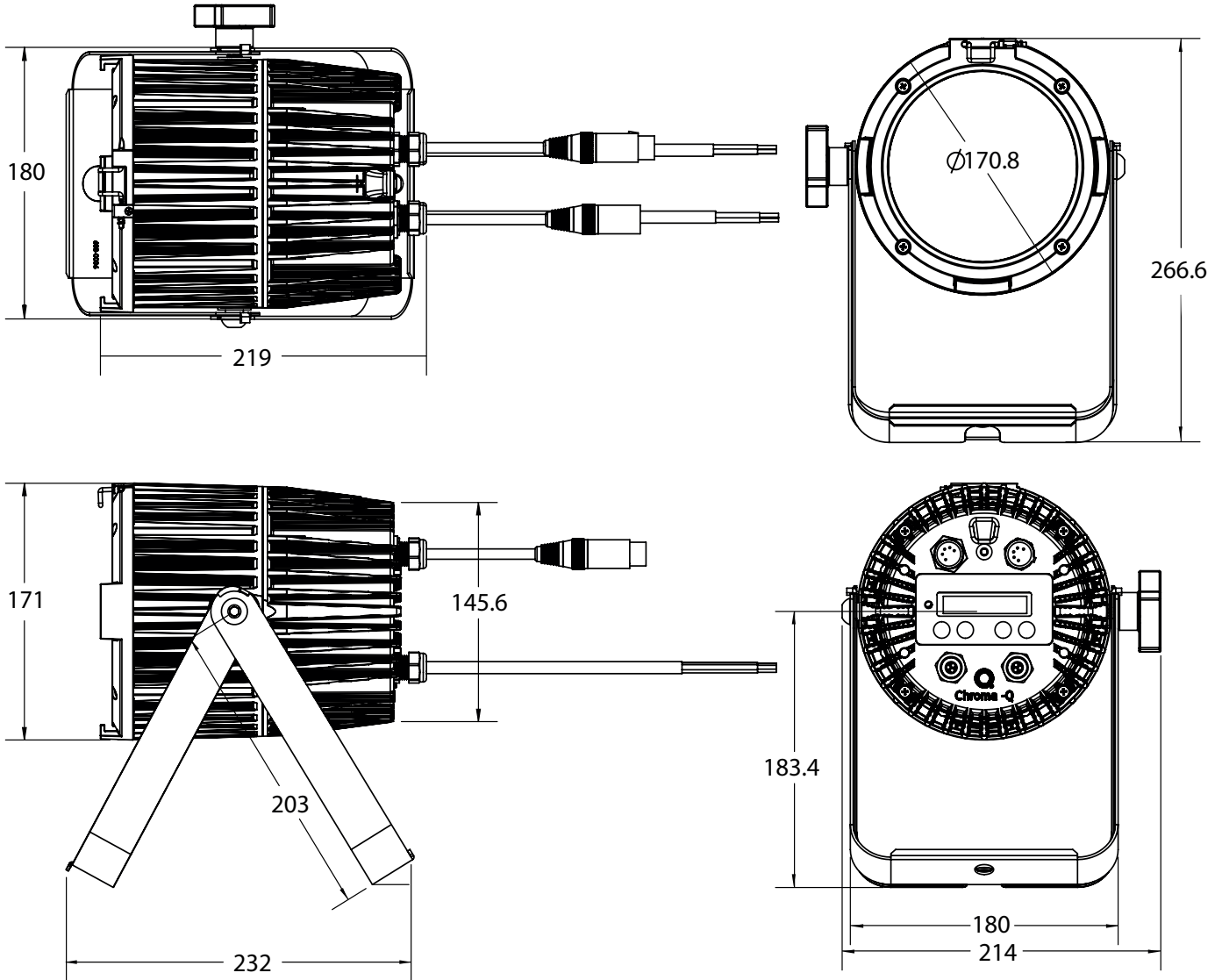
OVERALL SPECIFICATIONS

Net dimensions (Full Open Yoke): Width: 214mm / 8.5"
Height: 267mm / 10.5"
Depth: 232mm / 9"
Net weight: 4.3kg / 9.5lb
Shipping dimensions: Width: 406mm / 16"
Height: 228mm / 9"
Depth: 292 / mm11.5"
Shipping Weight: 6kg / 12.5lb
Power Supply: Built-in
Power Input Rating: 100-240V AC 50-60Hz 125VA
Power Factor: 0.5
Power Consumption: 52W (Maximum); 5.5W (Stand-by)
Inrush Current: 22A @ 120V AC; 39A @ 230V AC
Typical Power & Current: Measurements done with all LEDs at maximum intensity. Measurements made at nominal voltage. Allow for a deviation of +/- 10%.
Power Connector In/Out: Trailing lead
Data Connectors In/Out: Neutrik XLR 5-pin on 914mm / 36" Tails In & Out
Control Protocol: ANSI E1.11 USITT DMX 512-A
Cooling System: Convection
Operating Temperature: -20°C to +40°C
Construction: Cast machined aluminium
Colour: Black (custom colours available on request)
Built-In Hardware: Split Yoke, 6.25" Accessory Holder
Included Accessories: Wireless IR Remote, Colour Frame
IP Rating: IP65*
Approvals: CISPR 15 / EN55015 & EN61547, FCC 15 Subpart B:2012 / ICES-003:2012, CSA C22.2, UL 1573, IEC 60598
LED Engines: 1
LEDs Per Engine: 7 x RGBA
Total LEDs: 28
Control Modes: 4 channels RGBA, 5 channels RGBAI, 3 channels HSI, 3 channels RGB, 3 channels MLED RGB, Master, Slave
Theatrical
Dimming Curve: Theatrical
Variable Effects Engine: Yes (via Wireless IR Remote)
Effects Parameters: Full Color Scroll, Warm Color Scroll, Cold Color Scroll and Fade In/Fade Out
Hot Lumen Output (Combined): 1,230
Optics: Fully homogenised
Beam Angle: 18°
Beam Distribution: Symmetrical direct illumination
CCT: Adjustable 1,000 – 10,000K
Colour Gamut: Performance enhanced
CRI: 93
Lamp Life: L70 at 50,000 hours



Chroma-Q[®]
BRILLIANT SOLUTIONS

Specification Sheet - Version: 1.4
Chroma-Q[®] Color One 100™ IP65
Above Par Performance from ONE Source
Part No: CHCONE100RGAIP



Chroma-Q and all associated product names are recognised trademarks, for more information visit www.chroma-q.com/trademarks. The rights and ownership of all trademarks are recognised. Whilst every effort has been made to ensure that the information is correct, Chroma-Q accepts no liability for errors or omissions. Technical specifications and data are provided for guidance only. Because we constantly aim to improve our products, we reserve the right to amend or alter at any time and without prior notice, the specifications of any product. E&OE.