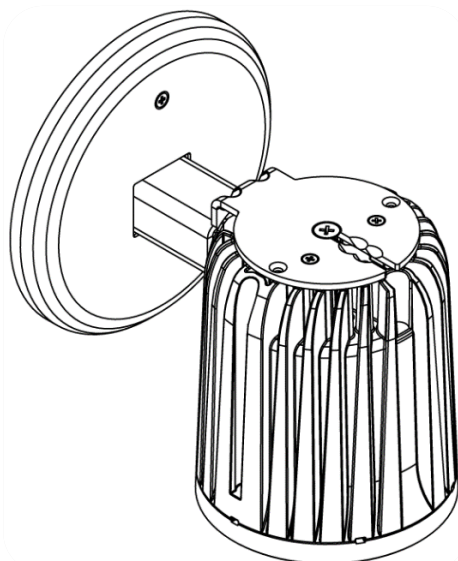


Installation Guide

Chroma-Q® 2inspire™ WALLMOUNT



Chroma-Q®
BRILLIANT SOLUTIONS

For a full product manual please visit www.chroma-q.com

For use with

Part Number: CQ1509-9001, CQ1509-9002

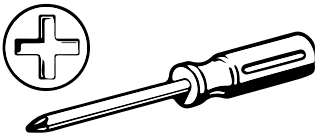
Model: 1509-9001, 1509-9002

Items in the Kit:

DESCRIPTION	2INSPIRE POE		QTY
	Black (1509-9001)	White (1509-9002)	
WALL MOUNT SHORT	1509-0036	1509-0037	1
WALL MOUNT CANOPY COVER	1509-0031	1509-0032	1
WALL MOUNT BRKT	1509-0026		1
SCREW M3x10 FH PLPS	430-1110-0	430-1110-1	3
SCREW M5x12 FH PLPS	450-1112-0	430-1112-1	1
SCREW PH PLPS #8-321-1/4" MS Zn	3081-2201		2

1. Tools Required

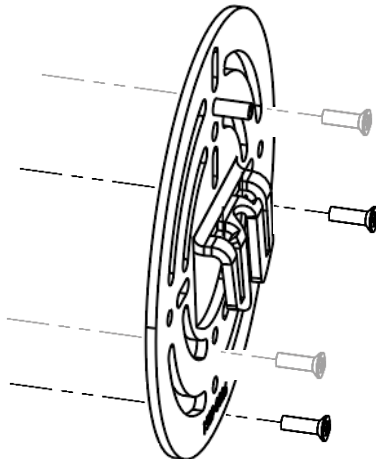
- Phillips-head screw driver



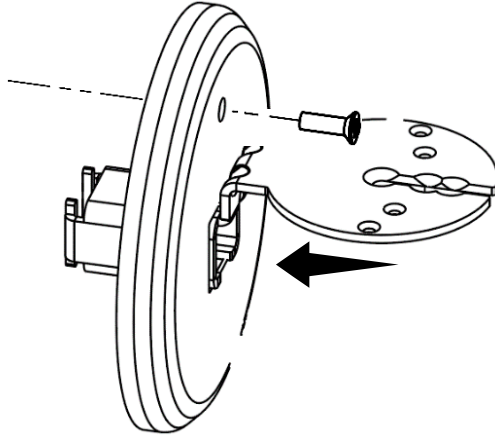
- Before installation, thread the cable from the outlet through the components in this order: **Wall Mount Bracket, Wall Mount, Wall Mount Canopy Cover**, and then into the Main Fixture. This will simplify the installation process.

2. Installation Procedure

1. Attach the **Wall Mount Bracket** into your standard Outlet, and secure with **#8-321-1/4" PH PLPS** Screws on either side as appropriate.

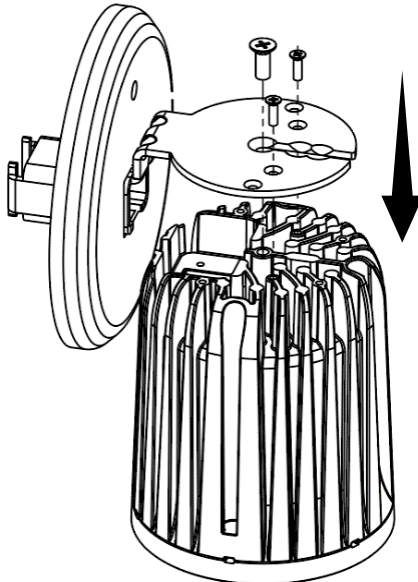


2. Insert the **Wall Mount** into the **Wall Mount Canopy Cover**, slide it into the grooves to clip it into place. Secure the **M3x10 FH PLPS** screw in place.

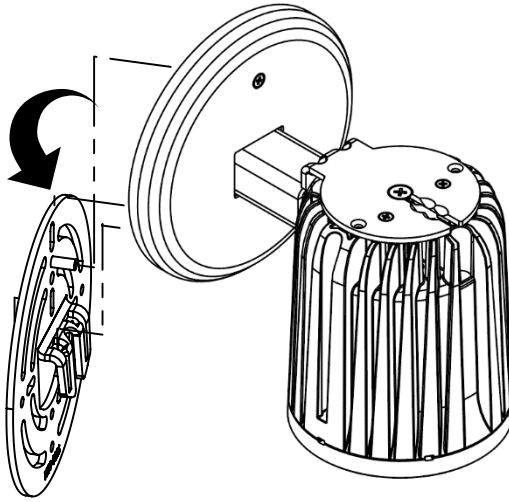


Note: For reverse (upward) mounting, insert the ethernet cable first into the wall mount bracket before step 2.

3. Position the Wall Mount so that the **Wall Mount Canopy Cover** sits on top of the Main Fixture. Secure it using the **M5x12 FH PLPS** screw (use the innermost slot for Model 100, the middle slot for Model 200, and the outermost slot for Model 300), then fasten it with two **M3x10 FH PLPS** screws on each side.

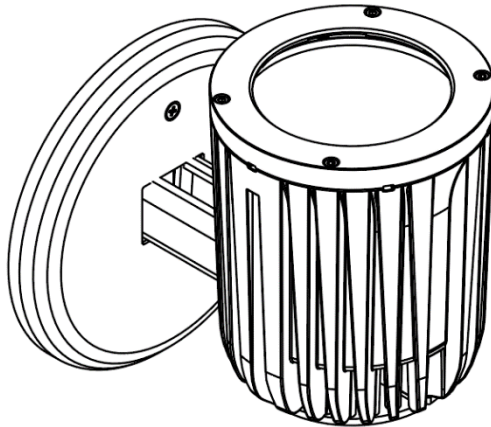


4. Attach the assembled **Wall Mount Bracket**, **Wall Mount**, and **Wall Mount Canopy Cover** to the Main Fixture by fitting it into the Wall Mount Bracket. Secure everything by clipping the end of the Wall Mount into the brackets. Finally, fasten all components with an **M3x10 FH PLPS** screw.

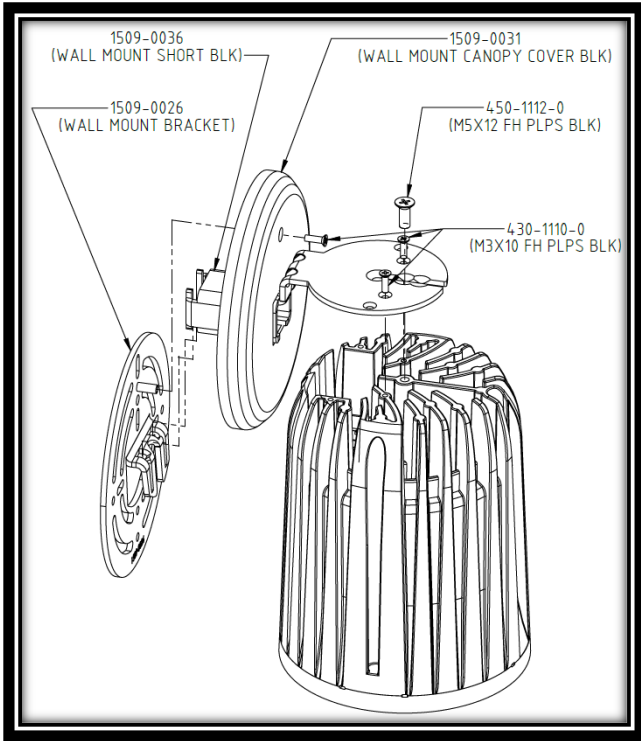


The **Wall Mount** kit can be mounted with the Main Fixture onto the outlet inverted (upwards), as illustrated below.

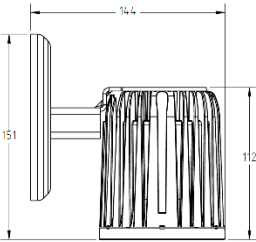
Note: Please refer to step 2 of Installation Procedure above for cable installation.



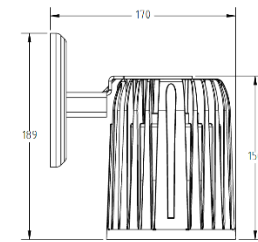
3. Kit exploded view



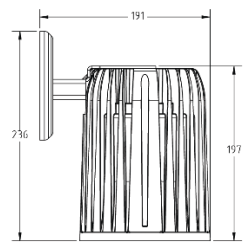
****Refer to the table on Page 2 to identify the parts with an "X"**



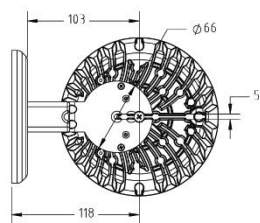
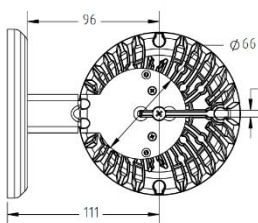
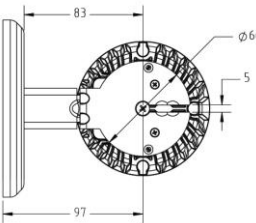
1501 Model



1502 Model



1503 Model



Disclaimer

Dimensions and illustrative drawings contained herein are accurate to the company's knowledge at the time of printing, however specifications are subject to change without notice.

Further Information

Please refer to the Chroma-Q 2inspire™ Manual for more detailed information. A copy of the manual can be found at the Chroma-Q website – <http://www.chroma-q.com/support/downloads.asp>

Approvals & Disclaimer



The information contained herein is offered in good faith and is believed to be accurate. However, because conditions and methods of use of our products are beyond our control, this information should not be used in substitution for customer's tests to ensure that Chroma-Q products are safe, effective, and fully satisfactory for the intended end use. Suggestions of use shall not be taken as inducements to infringe any patent. Chroma-Q sole warranty is that the product will meet the Chroma-Q sales specifications in effect at the time of shipment. Your exclusive remedy for breach of such warranty is limited to refund of purchase price or replacement of any product shown to be other than as warranted.

Chroma-Q reserves the right to change or make alteration to devices and their functionality without notice due to on-going research and development.

The Chroma-Q 2inspire™ has been designed specifically for the lighting industry. Regular maintenance should be performed to ensure that the products perform well in the entertainment environment.

If you experience any difficulties with any Chroma-Q products please contact your selling dealer. If your selling dealer is unable to help please contact support@chroma-q.com. If the selling dealer is unable to satisfy your servicing needs, please contact the following for full factory service:

Outside North America:	North America:
Tel: +44 (0)1494 446000	Tel: +1 416-255-9494
Fax: +44 (0)1494 461024	Fax: +1 416-255-3514
support@chroma-q.com	support@chroma-q.com

For further information please visit the Chroma-Q website at www.chroma-com.

Chroma-Q is a trademark, for more information on this visit www.chroma-q.com/trademarks.

The rights and ownership of all trademarks are recognized.