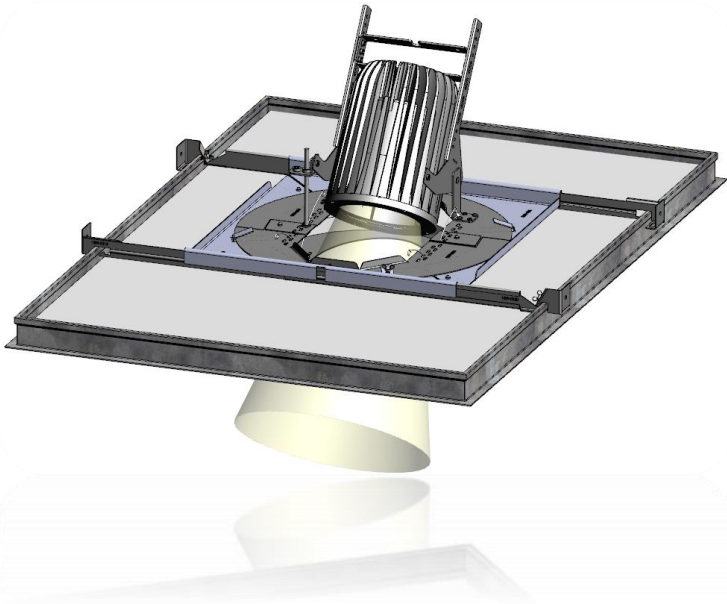


Chroma-Q®

2inspire™

SLANT CEILING MOUNT KIT

Installation Guide



Chroma-Q®
BRILLIANT SOLUTIONS

For a full product manual please visit www.chroma-q.com

For use with

Part Number: CQ1509-9221, CQ1509-9222, CQ1509-9226, CQ1509-9227
CQ1509-9231, CQ1509-9232, CQ1509-9321, CQ1509-9322
CQ1509-9326, CQ1509-9327, CQ1509-9331, CQ1509-9332

Model: 1509-9221, 1509-9222, 1509-9226, 1509-9227
1509-9231, 1509-9232, 1509-9321, 1509-9322
1509-9326, 1509-9327, 1509-9331, 1509-9332

Bill of Material: SLANT CEILING MOUNT (2inspire 200) (0-45°)

PART NUMBER		QTY
2inspire 200		
Black	White	
0deg Black (1509-9221)	0deg White (1509-9222)	
S/A 2inspire 200 300 Blind Slant Ceiling Mount 0-45o (1509-0601)		1
Center Plate BLK (1509-0300)*		2
Rest Ring BLK (1509-0305)*		1
Mount Ring BLK (1509-0355)*		1
Hinge Bracket (1509-0310)*		2
Left Rail (1509-0315)*		2
Right Rail (1509-0320)*		2
Adjusting Bracket (1509-0325)*		1
Holding Bracket (1509-0330)*		2
Shroud Mounting Bracket (1509-0051)*		1
Screw M6x110mm SHCS BLK With Hole (4601-1100)*		1
Wing Screw M4x10mm LG (440-1510-0)*		5
Screw M3x6mm FH PLPS (430-1106-0)*		8
Screw M4x8mm PH PLPS (440-1208-0)*		3
Screw M3x10 FH PLPS BLK (430-1110-0)		2
Retainer Ring 5mm_ID 11mm_OD (4115-2070)*		1
S/A Trim Ring Kit (1509-0626)		1
Trim Ring (1509-0240)**		1
Spring Hook Ceiling (1509-0361)**		2
Cache 0° Slant Ceiling (1509-0266)		1
Cache 0° Slant Ceiling (1509-0267)		1
PART NUMBER		QTY
2inspire 200		
Black	White	
0-25deg Black (1509-9226)	0-25deg White (1509-9227)	
S/A 2inspire 200 300 Blind Slant Ceiling Mount 0-45o (1509-0601)		1
Center Plate BLK (1509-0300)*		2
Rest Ring BLK (1509-0305)*		1
Mount Ring BLK (1509-0355)*		1
Hinge Bracket (1509-0310)*		2
Left Rail (1509-0315)*		2
Right Rail (1509-0320)*		2
Adjusting Bracket (1509-0325)*		1
Holding Bracket (1509-0330)*		2
Shroud Mounting Bracket (1509-0051)*		1
Screw M6x110mm SHCS BLK With Hole (4601-1100)*		1
Wing Screw M4x10mm LG (440-1510-0)*		5
Screw M3x6mm FH PLPS (430-1106-0)*		8
Screw M4x8mm PH PLPS (440-1208-0)*		3
Screw M3x10 FH PLPS BLK (430-1110-0)		2
Retainer Ring 5mm_ID 11mm_OD (4115-2070)*		1
S/A Trim Ring Kit (1509-0631)		1
Trim Ring (1509-0245)**		1
Spring Hook Ceiling (1509-0361)**		2
Cache Slant Ceiling (1509-0271)		1
Cache Slant Ceiling (1509-0272)		1
PART NUMBER		QTY
2inspire 200		
Black	White	
25-45deg Black (1509-9231)	25-45deg White (1509-9232)	
S/A 2inspire 200 300 Blind Slant Ceiling Mount 0-45o (1509-0601)		1
Center Plate BLK (1509-0300)*		2
Rest Ring BLK (1509-0305)*		1
Mount Ring BLK (1509-0355)*		1
Hinge Bracket (1509-0310)*		2
Left Rail (1509-0315)*		2
Right Rail (1509-0320)*		2
Adjusting Bracket (1509-0325)*		1
Holding Bracket (1509-0330)*		2
Shroud Mounting Bracket (1509-0051)*		1
Screw M6x110mm SHCS BLK With Hole (4601-1100)*		1
Wing Screw M4x10mm LG (440-1510-0)*		5
Screw M3x6mm FH PLPS (430-1106-0)*		8
Screw M4x8mm PH PLPS (440-1208-0)*		3
Screw M3x10 FH PLPS BLK (430-1110-0)		2
Retainer Ring 5mm_ID 11mm_OD (4115-2070)*		1
S/A Trim Ring Kit (1509-0636)		1
Trim Ring (1509-0250)**		1
Spring Hook Ceiling (1509-0361)**		2
Cache Slant Ceiling (1509-0276)		1
Cache Slant Ceiling (1509-0277)		1

Bill of Material: SLANT CEILING MOUNT (2inspire 300) (0-45°)

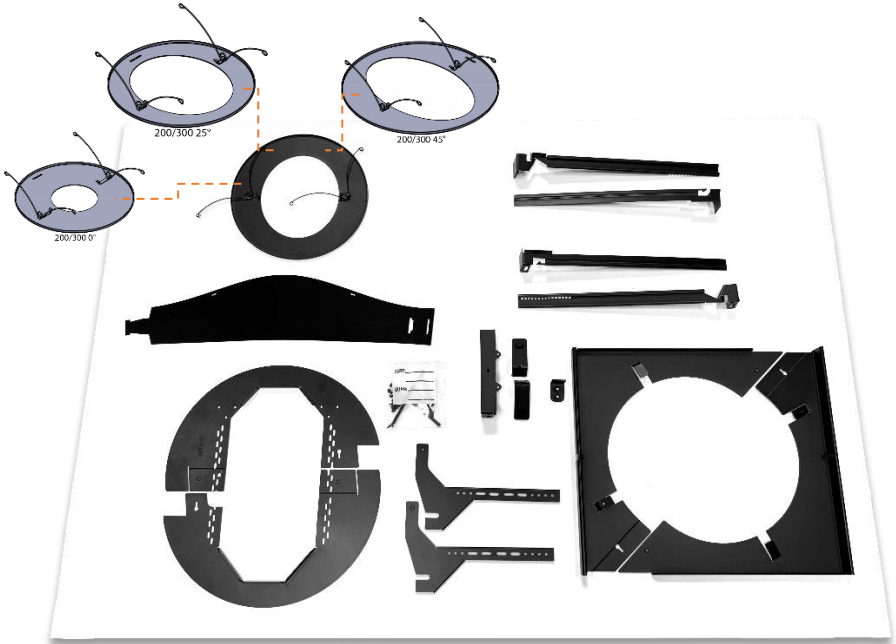
PART NUMBER		QTY
2inspire 300		
Black	White	
0deg Black (1509-9321)	0deg White (1509-9322)	
S/A 2inspire 200 300 Blind Slant Ceiling Mount 0-45o BLK (1509-0601)		1
<i>Center Plate (1509-0300)*</i>		2
<i>Rest Ring (1509-0305)*</i>		1
<i>Mount Ring (1509-0355)*</i>		1
<i>Hinge Bracket (1509-0310)*</i>		2
<i>Left Rail (1509-0315)*</i>		2
<i>Right Rail (1509-0320)*</i>		2
<i>Adjusting Bracket (1509-0325)*</i>		1
<i>Holding Bracket (1509-0330)*</i>		2
<i>Shroud Mounting Bracket (1509-0051)*</i>		1
<i>Screw M6x110mm SHCS BLK With Hole (4601-1100)*</i>		1
<i>Wing Screw M4x10mm LG (440-1510-0)*</i>		5
<i>Screw M3x6mm FH PLPS (430-1106-0)*</i>		8
<i>Screw M4x8mm PH PLPS (440-1208-0)*</i>		3
<i>Screw M3x10 FH PLPS BLK (430-1110-0)*</i>		2
<i>Retainer Ring 5mm_ID 11mm_OD (4115-2070)*</i>		1
S/A Trim Ring Kit (1509-0611)	S/A Trim Ring Kit (1509-0612)	1
<i>Trim Ring (1509-0340)**</i>	<i>Trim Ring (1509-0341)**</i>	1
<i>Spring Hook Ceiling 2inspire (1509-0361)**</i>		2
Cache Slant Ceiling (1509-0366)		1

PART NUMBER		QTY
2inspire 300		
Black	White	
0-25deg Black (1509-9326)	0-25deg White (1509-9327)	
S/A 2inspire 200 300 Blind Slant Ceiling Mount 0-45o BLK (1509-0601)		1
<i>Center Plate (1509-0300)*</i>		2
<i>Rest Ring (1509-0305)*</i>		1
<i>Mount Ring (1509-0355)*</i>		1
<i>Hinge Bracket (1509-0310)*</i>		2
<i>Left Rail (1509-0315)*</i>		2
<i>Right Rail (1509-0320)*</i>		2
<i>Adjusting Bracket (1509-0325)*</i>		1
<i>Holding Bracket (1509-0330)*</i>		2
<i>Shroud Mounting Bracket (1509-0051)*</i>		1
<i>Screw M6x110mm SHCS BLK With Hole (4601-1100)*</i>		1
<i>Wing Screw M4x10mm LG (440-1510-0)*</i>		5
<i>Screw M3x6mm FH PLPS (430-1106-0)*</i>		8
<i>Screw M4x8mm PH PLPS (440-1208-0)*</i>		3
<i>Screw M3x10 FH PLPS BLK (430-1110-0)*</i>		2
<i>Retainer Ring 5mm_ID 11mm_OD (4115-2070)*</i>		1
S/A Trim Ring Kit (1509-0616)	S/A Trim Ring Kit (1509-0617)	1
<i>Trim Ring (1509-0345)**</i>	<i>Trim Ring (1509-0346)**</i>	1
<i>Spring Hook Ceiling 2inspire (1509-0361)**</i>		2
Cache Slant Ceiling (1509-0371)		1

PART NUMBER		QTY
2inspire 300		
Black	White	
25-45deg Black (1509-9331)	25-45deg White (1509-9332)	
S/A 2inspire 200 300 Blind Slant Ceiling Mount 0-45o BLK (1509-0601)		1
<i>Center Plate (1509-0300)*</i>		2
<i>Rest Ring (1509-0305)*</i>		1
<i>Mount Ring (1509-0355)*</i>		1
<i>Hinge Bracket (1509-0310)*</i>		2
<i>Left Rail (1509-0315)*</i>		2
<i>Right Rail (1509-0320)*</i>		2
<i>Adjusting Bracket (1509-0325)*</i>		1
<i>Holding Bracket (1509-0330)*</i>		2
<i>Shroud Mounting Bracket (1509-0051)*</i>		1
<i>Screw M6x110mm SHCS BLK With Hole (4601-1100)*</i>		1
<i>Wing Screw M4x10mm LG (440-1510-0)*</i>		5
<i>Screw M3x6mm FH PLPS (430-1106-0)*</i>		8
<i>Screw M4x8mm PH PLPS (440-1208-0)*</i>		3
<i>Screw M3x10 FH PLPS BLK (430-1110-0)*</i>		2
<i>Retainer Ring 5mm_ID 11mm_OD (4115-2070)*</i>		1
S/A Trim Ring Kit (1509-0621)	S/A Trim Ring Kit (1509-0622)	1
<i>Trim Ring (1509-0350)**</i>	<i>Trim Ring (1509-0351)**</i>	1
<i>Spring Hook Ceiling 2inspire (1509-0361)**</i>		2
Cache Slant Ceiling (1509-0376)		1

*** Items part of S/A Slant Ceiling Mount Kit. ** Items part of S/A Trim Ring Kit**

KIT CONTENTS:



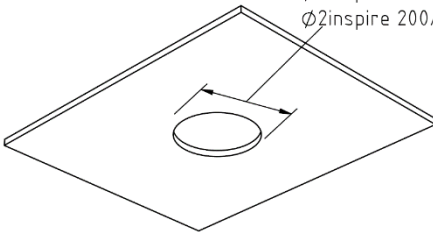
TOOLS REQUIRED:

- Phillips-head screw driver (Minimum torque: 5.5 in-lb / 0.62N-m)
- 3mm Allen key
- Ceiling cut out sizes for 2inspire 200/300 (0°/25°/45°) respectively as shown in the picture below:

\varnothing 2inspire 200/300 0deg = 8in/203mm

\varnothing 2inspire 200/300 25deg = 8in/203mm

\varnothing 2inspire 200/300 45deg = 9.5in/241mm

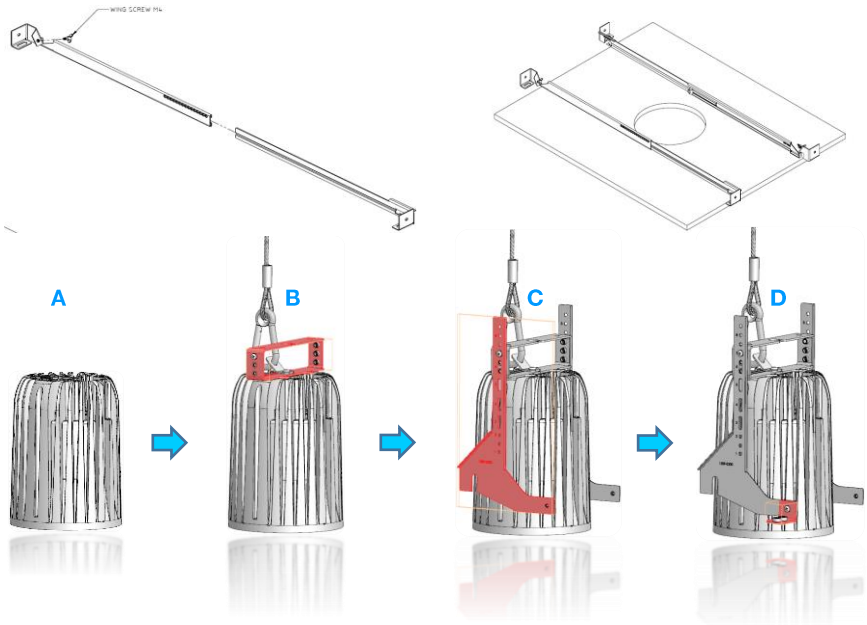


CEILING CUT OUT SIZE FOR 2INSPIRE POE 200/300 FIXTURE

- **Prior to installation, the fixture must be secured with a safety cable to avoid any accidents.**

INSTALLATION PROCEDURE:

1. Insert the **M4x10mm Wing Screw (440-1510-0)** and place the **Rails (1509-0315 & 1509-0320)** inside the ceiling as shown in the picture below:

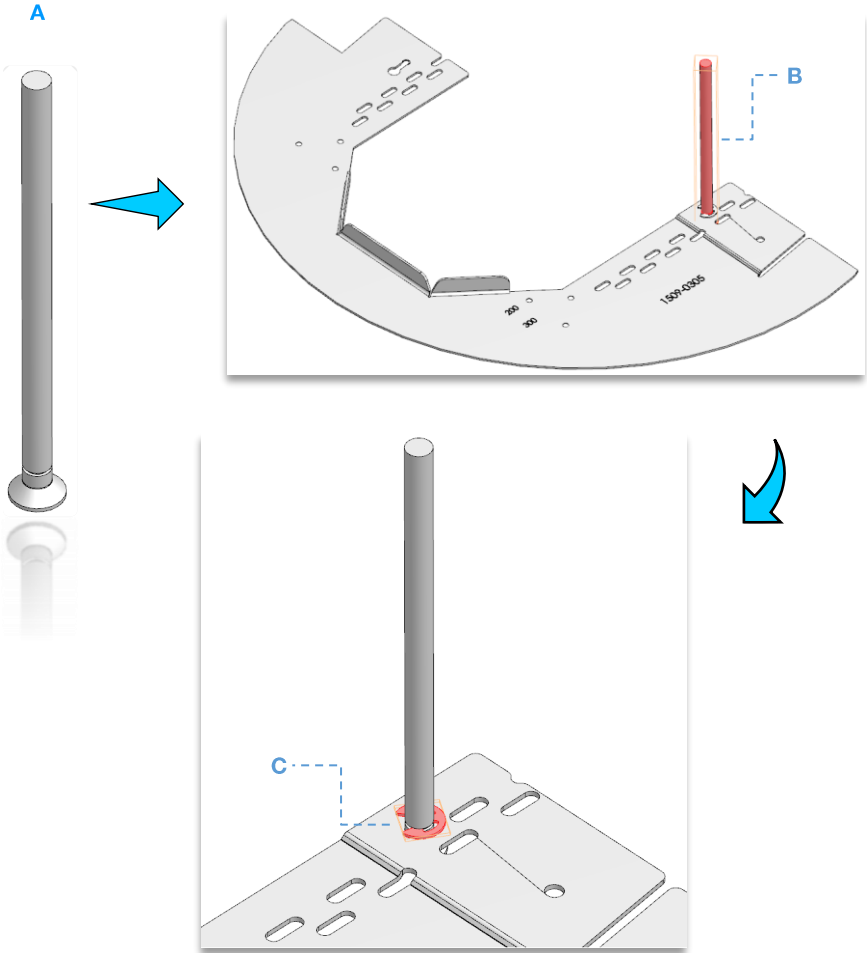


2. **A)** Safely prepare the Main Fixture for assembly
B) Attach the **Shroud Mounting Bracket (1509-0051)** to the Main Fixture and secure it with screws.
C) Attach the **Holding Brackets (1509-0330)** on each side of the Shroud Mounting Bracket and secure it with the **M4x8 Screws (440-1208-0)**.
D) Attach the **Adjusting Bracket (1509-0325)** onto the left Holding Bracket and secure it with the M4x8mm Screw (Do not tighten to allow rotation).

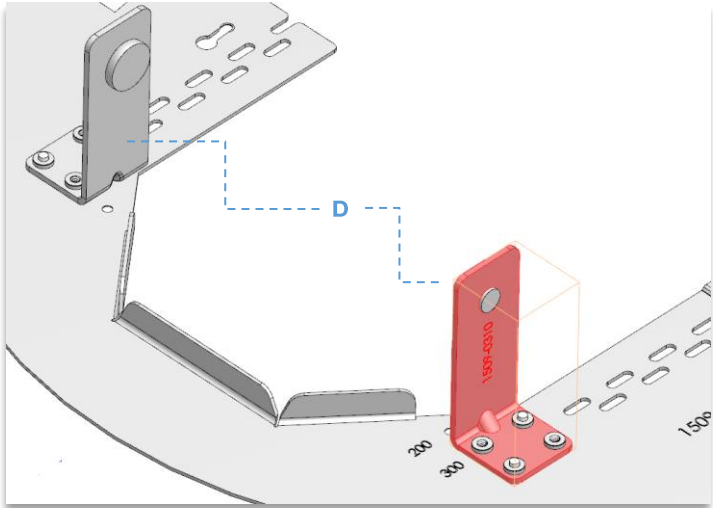
ASSEMBLED PIECE #1



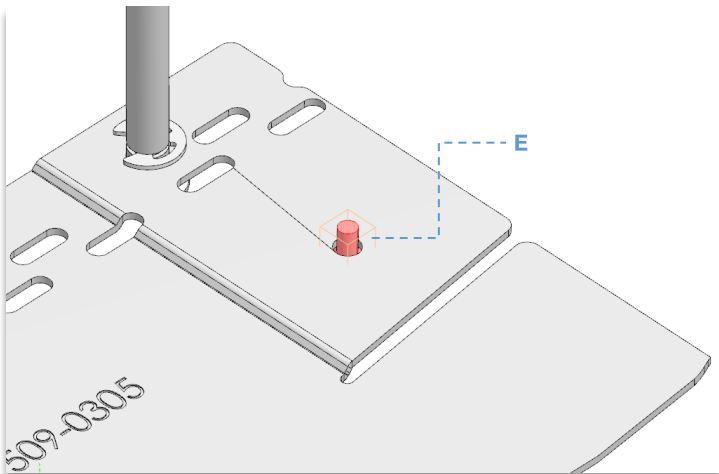
3. **A) Prepare the M3X10 Screw (430-1110-0) with the Rest Ring (1509-0305)**
B) Slide the M3x10 Screw through the provided threaded hole.
C) Clip the Retainer Ring onto the M3x10 Screw by the cut out near the head.

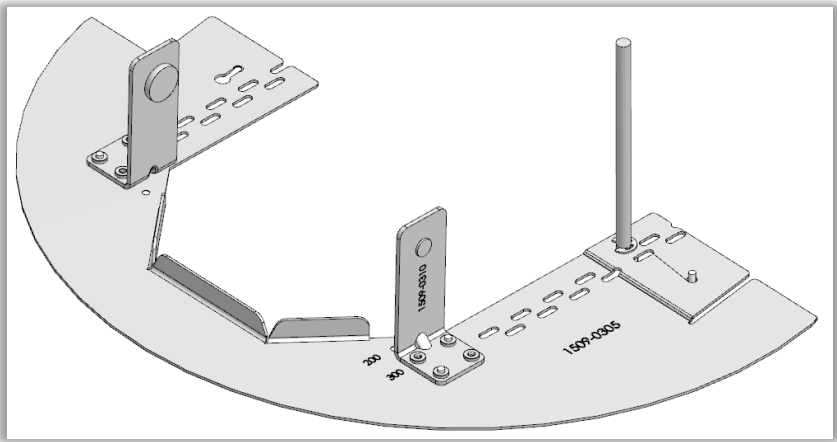


D) Attach the **Hinge Brackets (1509-0310)** on the left piece of the **Rest Ring (1509-0305)**, and secure them with M3x6 Screws. Slide the Hinge Brackets accordingly to the size of the Main Fixture as indicated (200/300).



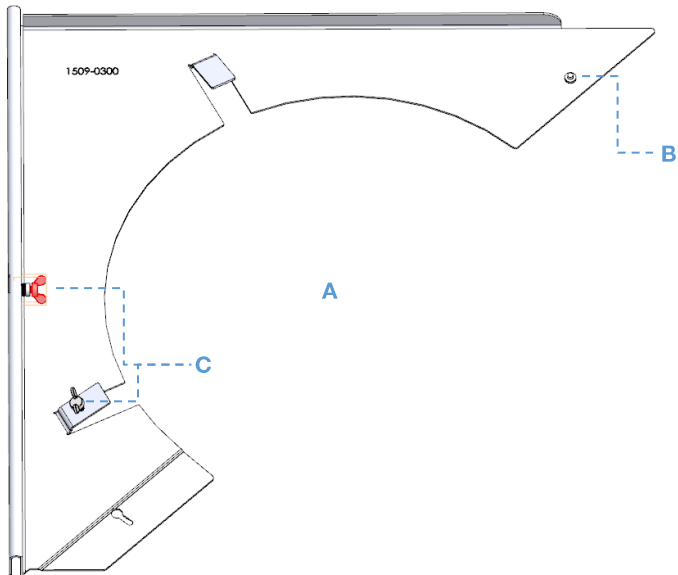
E) Insert a M3x6 Screw into the screw hole that joins the two pieces and only apply two rotations (Do not tighten).



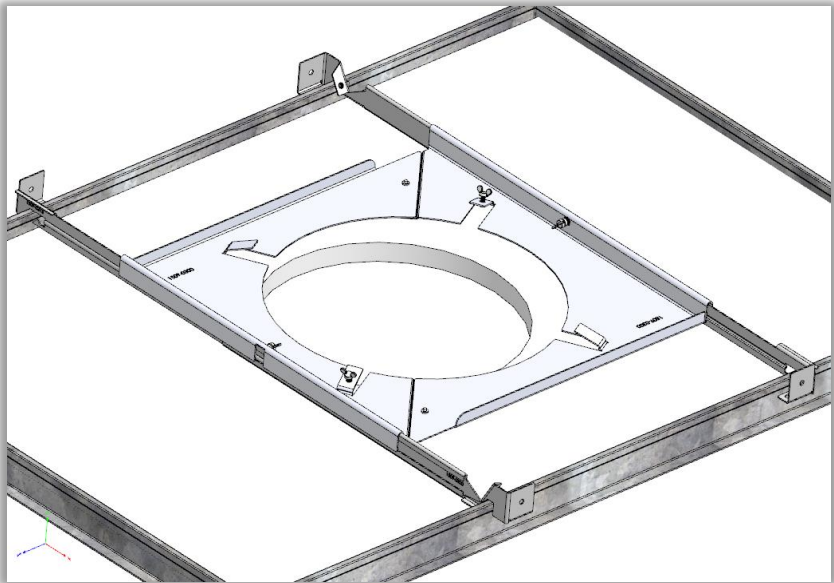
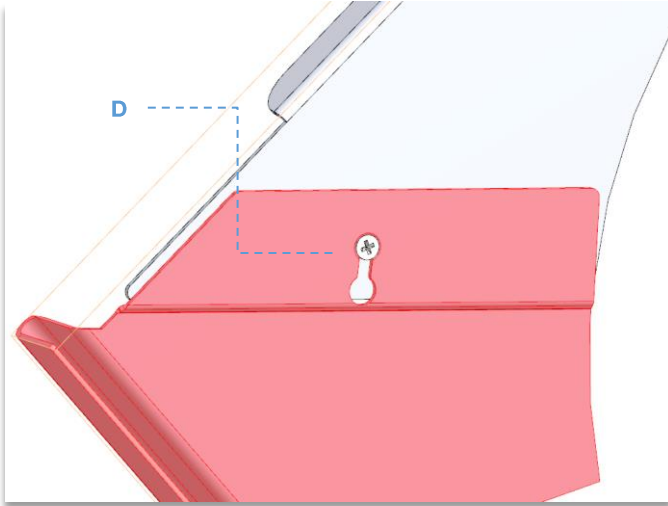


ASSEMBLED PIECE #2

4. **A)** Prepare $\frac{1}{2}$ of the **Center Plate (1509-0300)** for installation.
B) Insert the M3x6 Screw into the screw hole (Keep it loose).
C) Insert the M4x10mm Wing Screw into both the Threaded Standoff and the clip.
 Do the same for the other $\frac{1}{2}$.

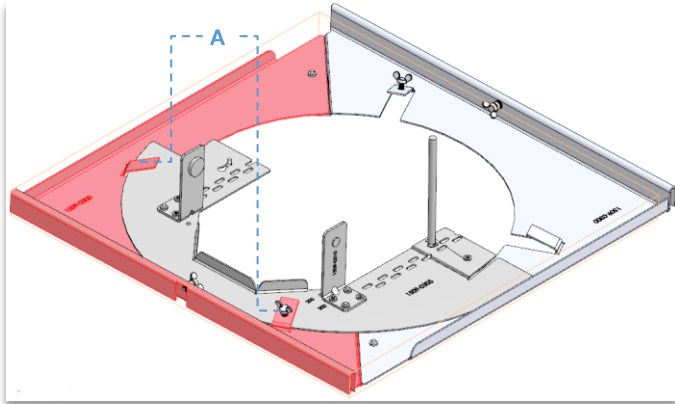


D) After sending both ½ of the Center Plates through the ceiling, clip the loose M3x6mm Screws through the key hole and screw it tight, completing the assembly. (See below)

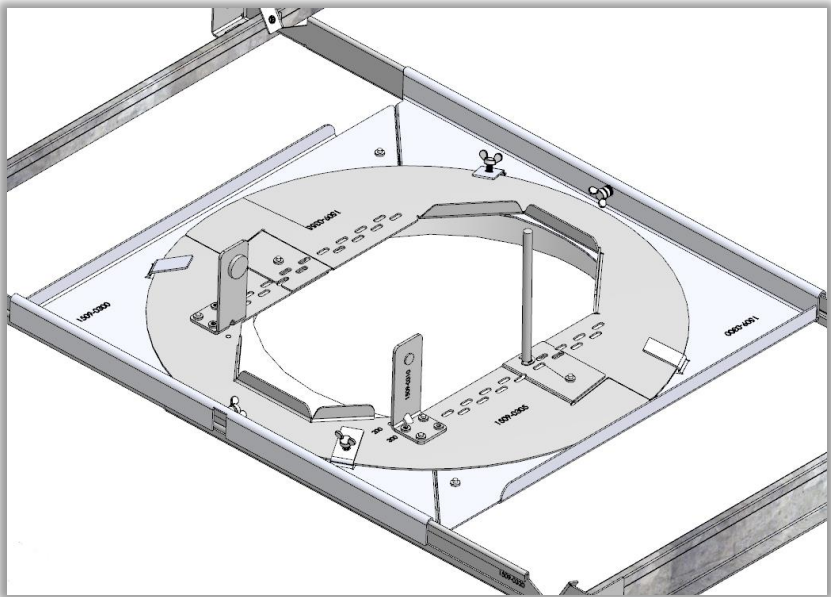


ASSEMBLED PIECE #3

5. **A)** Slide the ½ of the Rest Ring through the ceiling and make sure it sits inside both of the clips on the Center Plate. (See Below)

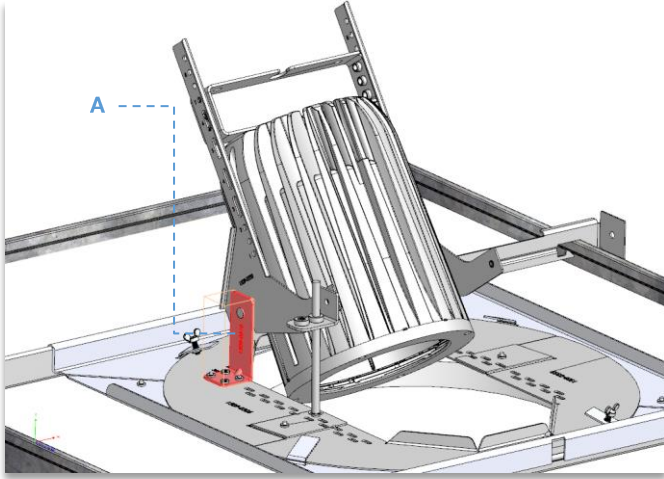


Do the same for the **Mount Ring (1509-0355)** and join the two by clip the loose M3x6mm Screw through the key hole and tightening.

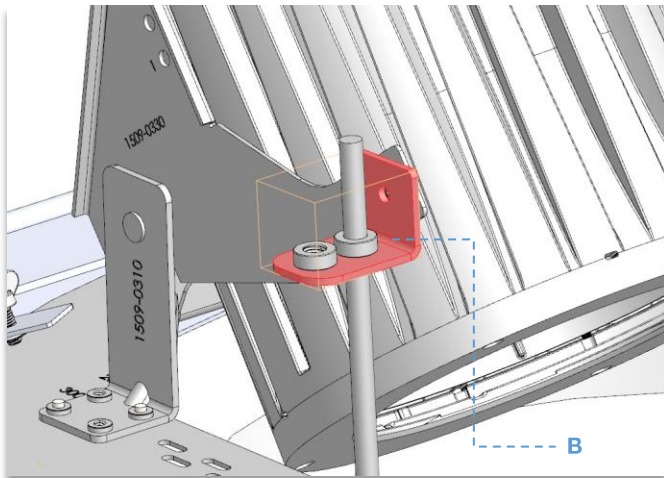


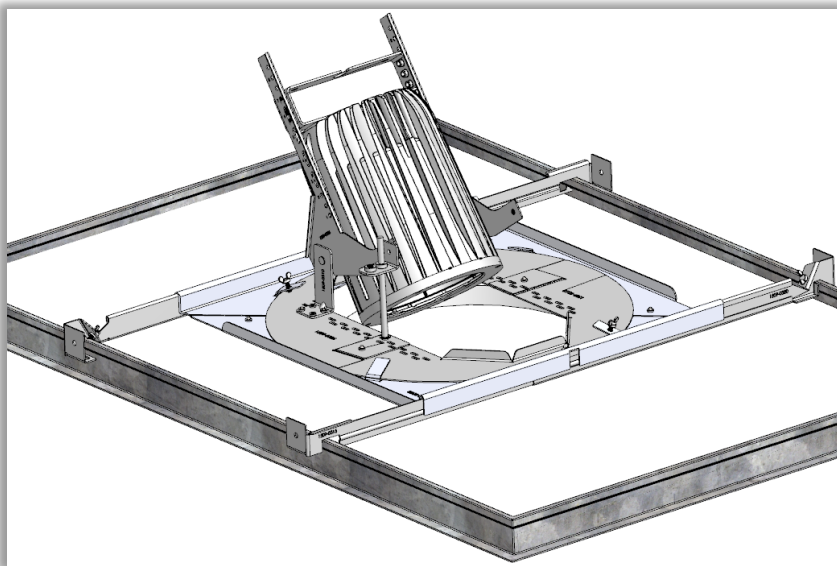
ASSEMBLED PIECE #3

6. **A)** Slide the Main Fixture (ASSEMBLED PIECE #1) through the hole in the ceiling and clip the Holding Brackets into the rotate socket of the Hinge Brackets.



- B)** Rotate the Adjusting Bracket through the M6x100 Screw. Secure it into place and lock in the rotational degree by screwing tight the M3x6 Screw into the Holding bracket.

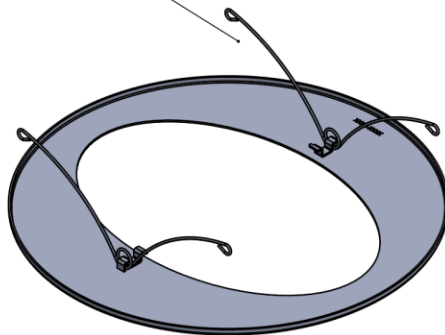




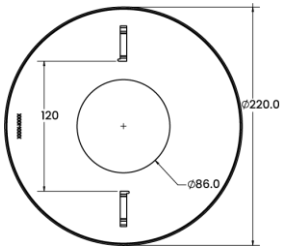
ASSEMBLED PIECE #5

Note:-Before installing the bracket, it is necessary to insert the spring hook, ensuring it remains securely inside the bracket without coming out.

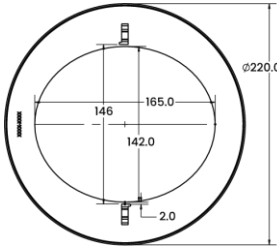
SPRING HOOK PART NUMBER = 1509-0361



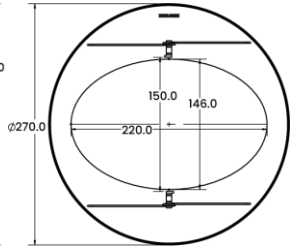
TRIM RING SIZES:



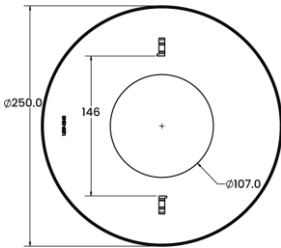
1509-0240 (0deg)



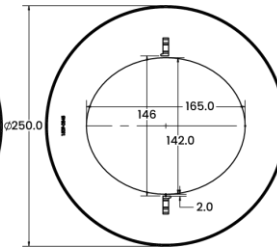
1509-0245 (25deg)



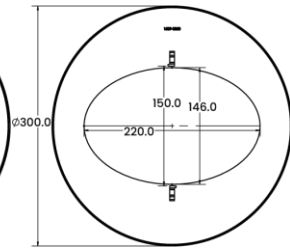
1509-0250 (45deg)



1509-0340 (0deg)

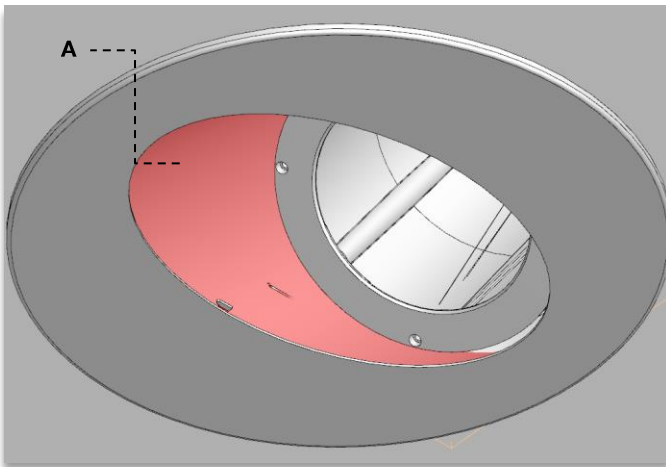


1509-0345 (25deg)

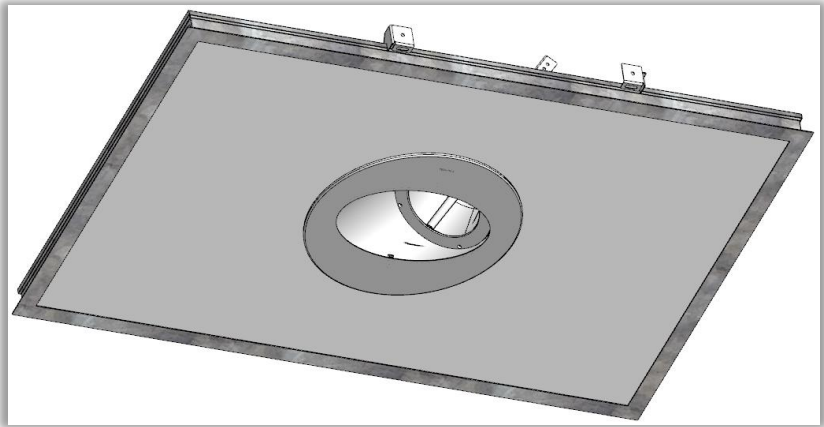
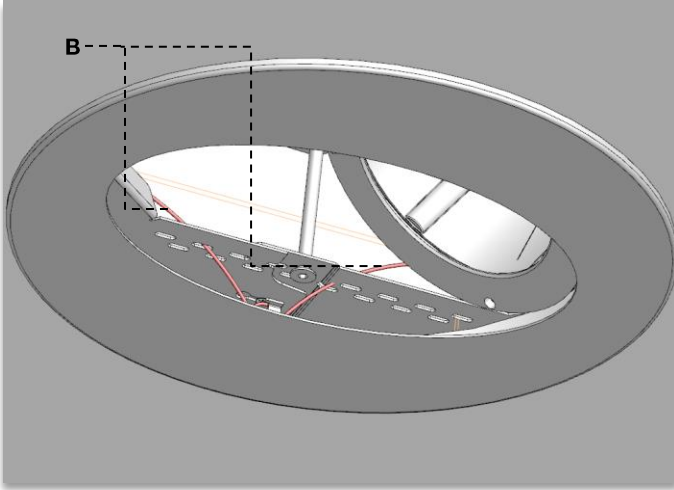


1509-0350 (45deg)

7. **A)** Wrap the **Cache Slant Ceiling (1509-0376)** around the **Trim Ring (1509-0350)** with the **Spring Hook Ceiling 2inspire (1509-0361)**, then push it all through the ceiling hole covering the Main Fixture.

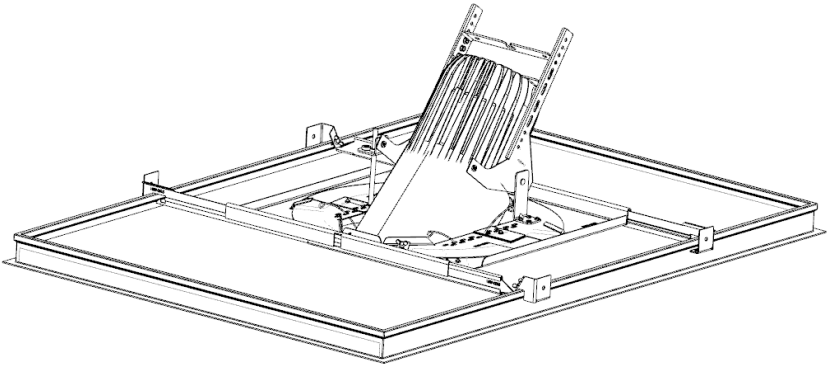


B) hooking the Spring Hooks through your preferred cutouts on the Rest & Mount Rings. Press into the Trim Ring until you hear a clip to lock it into place.

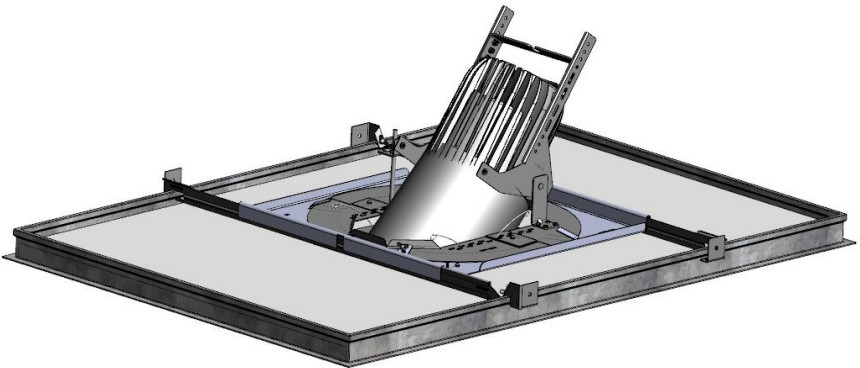


ASSEMBLED PIECE #5

Note: Different Trim Ring will have different end results



COMPLETED ASSEMBLY (ILLUSTRATION)



COMPLETED ASSEMBLY (SOLID)

Disclaimer

Dimensions and illustrative drawings contained herein are accurate to the company's knowledge at the time of printing, however specifications are subject to change without notice.

Further Information

Please refer to the Chroma-Q 2inspire™ Manual for more detailed information. A copy of the manual can be found at the Chroma-Q website – <http://www.chroma-q.com/support/downloads.asp>

Approvals & Disclaimer



The information contained herein is offered in good faith and is believed to be accurate. However, because conditions and methods of use of our products are beyond our control, this information should not be used in substitution for customer's tests to ensure that Chroma-Q products are safe, effective, and fully satisfactory for the intended end use. Suggestions of use shall not be taken as inducements to infringe any patent. Chroma-Q sole warranty is that the product will meet the Chroma-Q sales specifications in effect at the time of shipment. Your exclusive remedy for breach of such warranty is limited to refund of purchase price or replacement of any product shown to be other than as warranted.

Chroma-Q reserves the right to change or make alteration to devices and their functionality without notice due to on-going research and development.

The Chroma-Q 2inspire™ has been designed specifically for the lighting industry. Regular maintenance should be performed to ensure that the products perform well in the entertainment environment.

If you experience any difficulties with any Chroma-Q products please contact your selling dealer. If your selling dealer is unable to help please contact support@chroma-q.com. If the selling dealer is unable to satisfy your servicing needs, please contact the following for full factory service:

Outside North America:	North America:
Tel: +44 (0)1494 446000	Tel: +1 416-255-9494
Fax: +44 (0)1494 461024	Fax: +1 416-255-3514
support@chroma-q.com	support@chroma-q.com

For further information please visit the Chroma-Q website at www.chroma-com.

Chroma-Q is a trademark, for more information on this visit www.chroma-q.com/trademarks.

The rights and ownership of all trademarks are recognized.